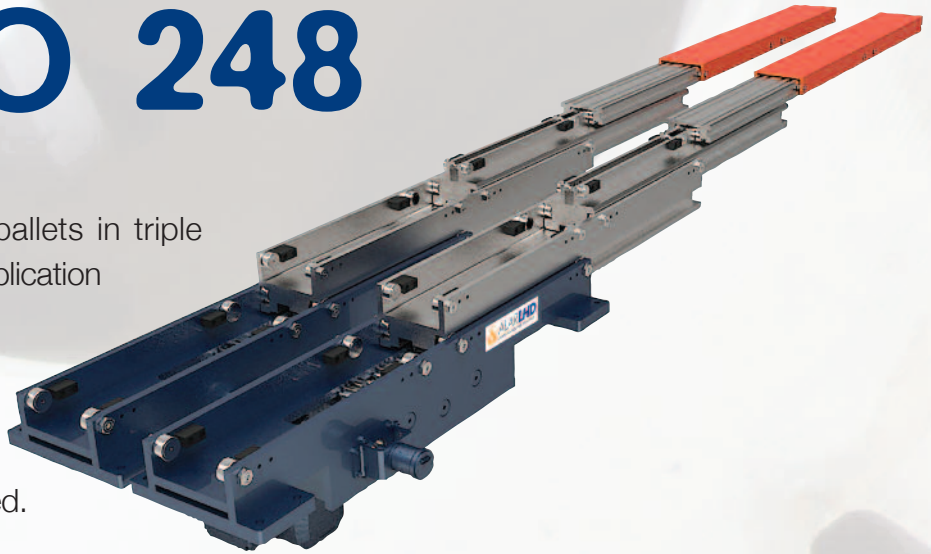




# CRONO 248

Designed for the handling of pallets in triple depth, the CRONO 248 finds application where a normal double depth telescopic fork would be beyond the stroke limit, or where an even smaller bending, other parameters being equal, is needed.



PRODUCT CODE	Q LOAD (KG)	L FIXED BODY LENGTH (MM)	LS UPPER SLIDE LENGTH (MM)	S3 STROKE (MM)	MAX BENDING UNDER LOAD (MM)
CR248-130	1200	1300	1300	3000	32
CR248-135		1350	1350	3100	34
CR248-140	1000	1400	1400	3200	32
CR248-145		1450	1450	3300	35
CR248-150	800	1500	1500	3500	36
CR248-160		1600	1600	3700	40

With an overall thickness of 248 mm, this equipment represents the solution to borderline cases in the sector of the linear handling.

