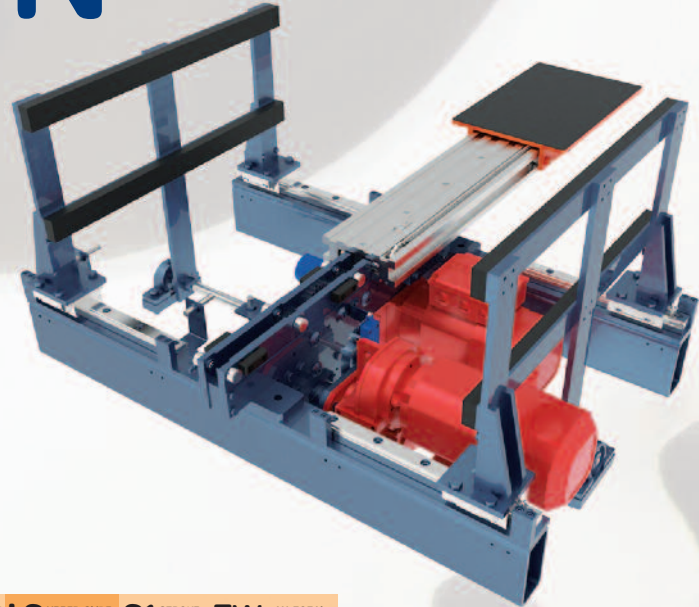




GRYPHON

Operating jointly with telescopic forks for miniload (usually monoforks), the GRYPHON can help to keep load units aligned and stable in the moving phases, especially in case of light but voluminous carton boxes.



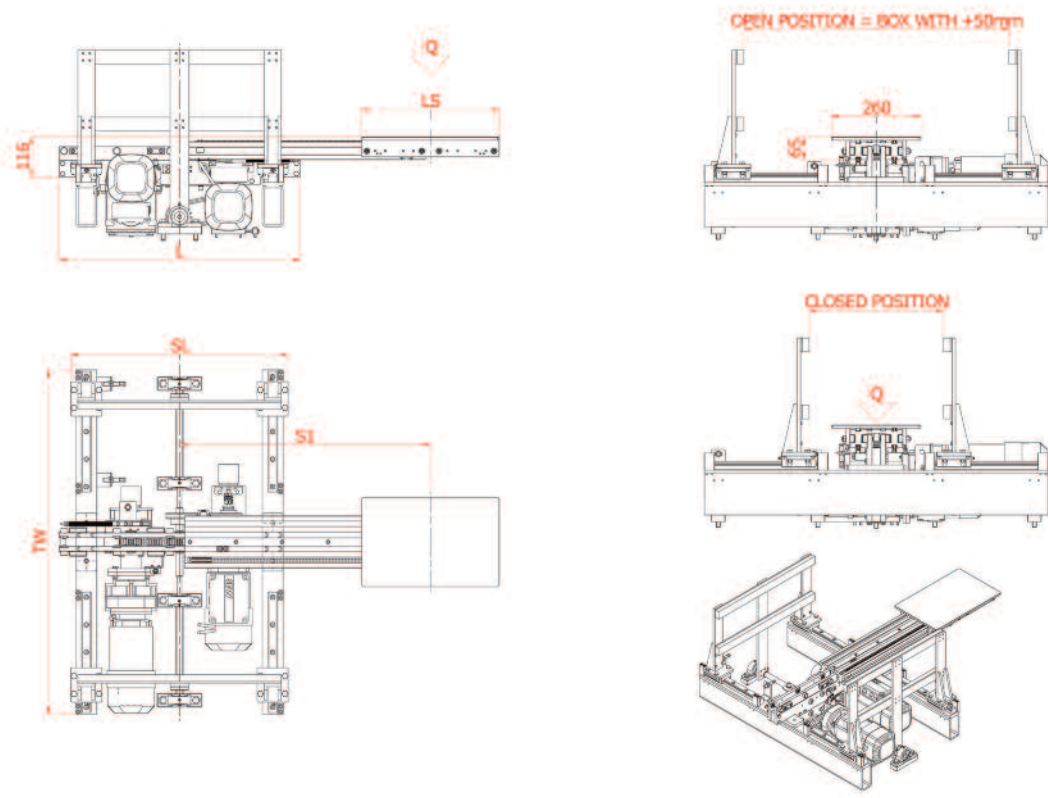
SINGLE DEPTH

DOUBLE DEPTH

TRIPLE DEPTH

PRODUCT CODE	Q LOAD (KG)	L MAX. FIXED BODY LENGTH (mm)	SI SYSTEM LENGTH (mm)	LS UPPER SLIDE LENGTH (mm)	S1 STROKE (mm)	TW MAX TOTAL WIDTH (mm)
GR-120					1200	
GR-125					1250	
GR-130	500	1000	L+100	1240	1300	4000
GR-135					1350	
GR-140					1400	

It offers the possibility to prevent misalignments on the shelves that could result in collisions.



COMBINED PRODUCTS

SPECIAL PRODUCTS