

CERBERUS X2

The CERBERUS X2 is designed to handle metal or paper coils, with a payload of up to 1.500 Kg.

The rotation and translation speed is as fast as 30m/min.

Thanks to this system, the coils can be set down and picked up even rotated by 90° compared to the standard position on shelves.



SINGLE DEPTH

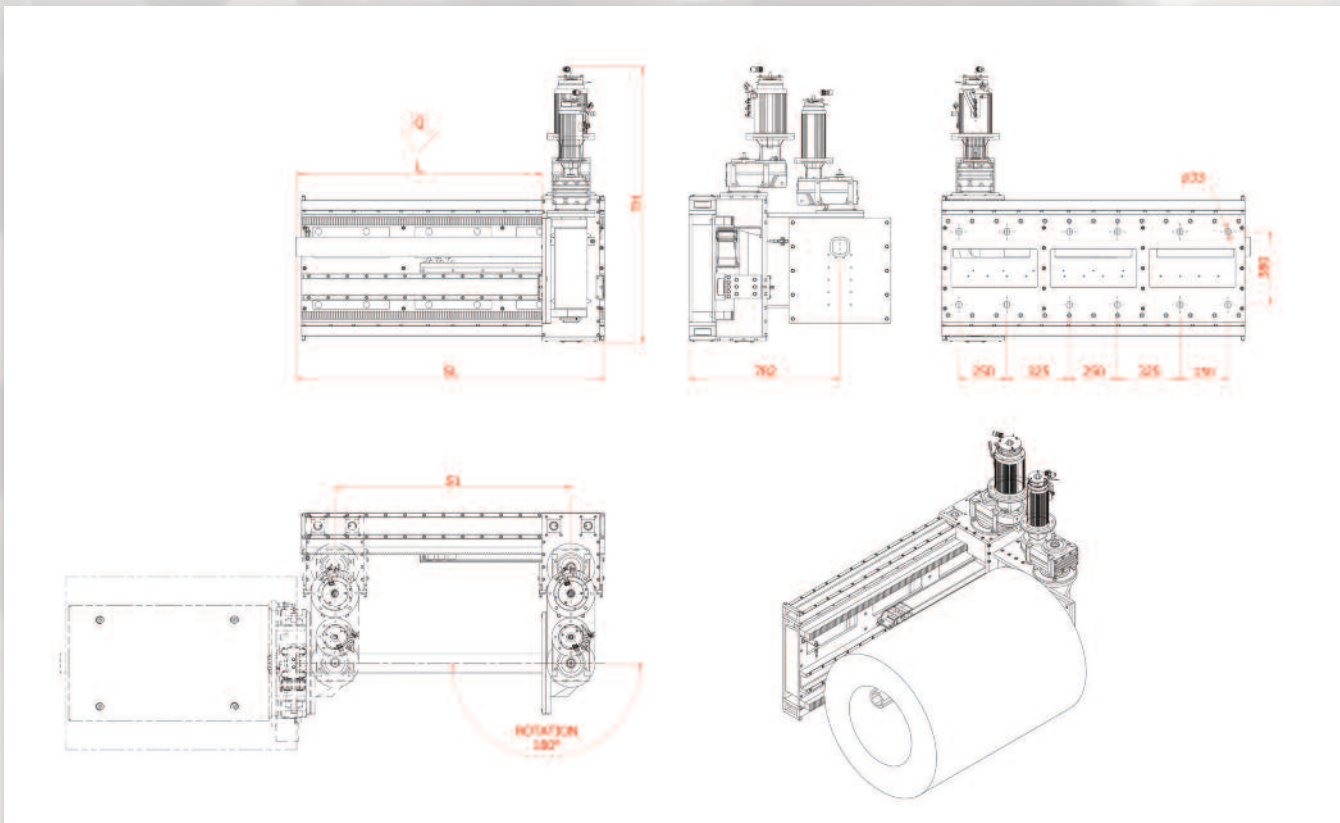
DOUBLE DEPTH

PRODUCT CODE	Q LOAD (KG)	L SYSTEM LENGTH (MM)	TH TOTAL SYSTEM HEIGHT (MM)	S1 STROKE (MM)
CX2-170	500	1700	1500	1350
CX2-180	750	1800		1450
CX2-190	1000	1900		1550
CX2-200	1500	2000		1650

To save time, both movements can be carried out simultaneously.

TRIPLE DEPTH

COMBINED PRODUCTS



SPECIAL PRODUCTS